



CyberPower®

SMART APP UPS
OFFICE RACKMOUNT SERIES
Product Catalog



- GreenPower UPS™ Energy-saving Technology
- Hot-swappable Batteries for Easy Battery Maintenance
- Remote Management Capability Allows Real-time Monitoring & UPS Configurations

APPLICATIONS

- PCs & Workstations
- Printers & Office Devices
- Phone/Fax/Modem
- Video/Audio Equipment
- Mission-Critical Equipment
- Back Office
- Data Center
- Computers & Laptops
- SOHO Networking Devices
- Telecom & Network Equipment
- Industrial Equipment
- Cable & Satellite
- Server Room

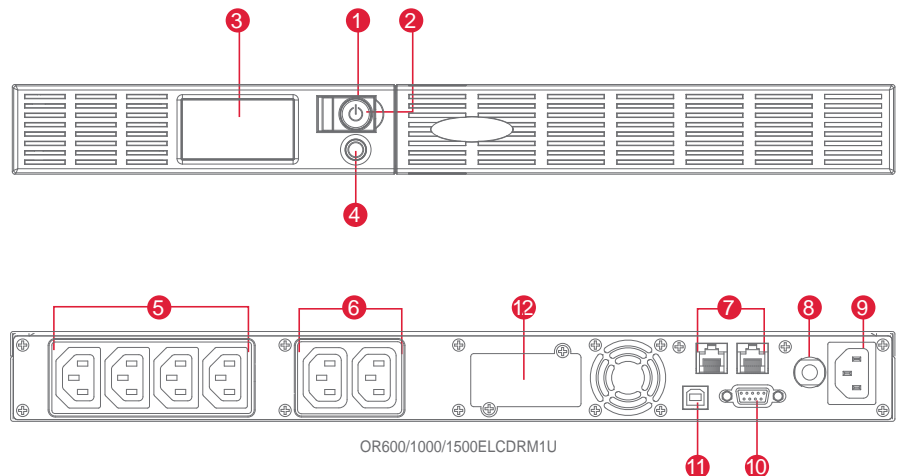


SERIES FEATURES

- Line-Interactive UPS Topology
- Automatic Voltage Regulation (AVR)
- GreenPower UPS™ Technology
- Auto-Restart/Auto-Charge
- Configurable Alarm With Mute Option
- Cold Start
- Surge and Spike Protection
- Phone/Fax/Modem/DSL/Network Protection
- Rackmount Form Factor
- User-Replaceable Batteries
- Hot-Swappable Battery Packs
- Protected On/Off Switch
- Multifunction LCD Readout
- USB and Serial Connectivity Port
- SNMP/HTTP Remote Management Capability (Optional)
- PowerPanel® Business Edition Software

PRODUCT CALLOUTS

1. Power On Indicator
2. Power On/Off Switch
3. LCD Display Panel
4. Function Buttons
5. Battery Backup & Surge Protected Outlets
6. Surge Protected Outlets
7. Communication Protection Ports RJ11/RJ45
8. Input Circuit Breaker
9. AC Inlet
10. Serial Port
11. USB Port
12. SNMP/HTTP Network Slot



TECHNICAL SPECIFICATIONS

Model Name	OR600ELCDRM1U	OR1000ELCDRM1U	OR1500ELCDRM1U
General			
UPS Topology	Line-Interactive	Line-Interactive	Line-Interactive
Energy Saving	GreenPower UPST™ Bypass Technology	GreenPower UPST™ Bypass Technology	GreenPower UPST™ Bypass Technology
Energy Star Qualified	(by request)	(by request)	(by request)
Active PFC Compatible	-	-	-
Input			
Voltage	230Vac	230Vac	230Vac
Input Voltage Range	175Vac - 255Vac	160Vac - 270Vac	160Vac - 270Vac
Input Frequency Range	50/60Hz ± 3Hz (Auto-sensing)	50/60Hz ± 3Hz (Auto-sensing)	50/60Hz ± 3Hz (Auto-sensing)
Rated Input current	-	-	-
Input Power Factor	-	-	-
Cold Start	-	-	-
Plug Type	IEC 320 C14	IEC 320 C14	IEC 320 C14
Output			
VA	600	1000	1500
Watts	360	600	900
On Battery Waveform	Simulated Sine Wave	Simulated Sine Wave	Simulated Sine Wave
On Battery Voltage	230Vac ± 10%	230Vac ± 10%	230Vac ± 10%
Automatic Voltage Regulation (AVR)	Single Boost	Single Boost	Single Boost
On Battery Frequency	50/60Hz ± 1%	50/60Hz ± 1%	50/60Hz ± 1%
Outlets - Total	6	6	6
Outlet Type	IEC 320 C13	IEC 320 C13	IEC 320 C13
Outlets - Battery & Surge Protected	4	4	4
Outlets - Surge-Only Protected	2	2	2
Outlets - Widely Spaced	-	-	-
Outlets - Critical Load	-	-	-
Outlets - Non-Critical Load (NCL)	-	-	-
Outlets - ECO Controlled Outlets	-	-	-
USB Charging Ports	-	-	-
Rated Power Factor	-	-	-
Harmonic Distortion	-	-	-
Transfer Time	4ms Typical	4ms Typical	4ms Typical
Battery			
Runtime at Half Load (min)	12	14	11
Runtime at Full Load (min)	4	4	3
Battery Type	Sealed Lead Acid	Sealed Lead Acid	Sealed Lead Acid
Battery Size	6V/9AH	6V/7AH	6V/9AH
Battery Quantity	2	4	4
User Replaceable	Yes	Yes	Yes
Hot-Swappable	Yes	Yes	Yes
Typical Recharge Time	8 Hours	8 Hours	8 Hours
Smart Battery Management (SBM) Mode	-	-	-
Extended Battery Module	-	-	-
Replacement Battery Pack	RBP0019	RBP0025	RBP0026
Replacement Battery Pack Quantity	1	1	1
Surge Protection & Filtering			
Surge Suppression	405 Joules	810 Joules	810 Joules
Phone Protection RJ11	-	-	-
Phone / Network Protection RJ11/RJ45	1-In, 1-Out (Combo)	1-In, 1-Out (Combo)	1-In, 1-Out (Combo)
Management & Communications			
LCD Control Panel	Yes	Yes	Yes
Detachable LCD Control Panel Option	-	-	-
HID Compliant USB Port	Yes	Yes	Yes
Serial Port	Yes	Yes	Yes
Emergency Power Off (EPO) Port	-	-	-
Dry Contacts	-	-	-
LED Indicators	Power On	Power On	Power On
Audible Alarms	On Battery, Low Battery, Overload	On Battery, Low Battery, Overload	On Battery, Low Battery, Overload
Software	PowerPanel® Business Edition	PowerPanel® Business Edition	PowerPanel® Business Edition
SNMP / HTTP Remote Monitoring	Yes, with optional RMCARD202/203/205	Yes, with optional RMCARD202/203/205	Yes, with optional RMCARD202/203/205
Physical			
Form Factor	Rack	Rack	Rack
Physical - UPS Module			
Dimensions (WxHxD) (mm.)	433 x 44 x 235	433 x 44 x 389	433 x 44 x 485
Weight (kg.)	8.1	16.1	19.4
Installed Rack Height	1U	1U	1U
Physical - Power Module			
Dimensions (WxHxD) (mm.)	-	-	-
Weight (kg.)	-	-	-
Power Module Rack Height	-	-	-
Physical - Battery Module			
Dimensions (WxHxD) (mm.)	-	-	-
Weight (kg.)	-	-	-
Battery Module Rack Height	-	-	-
Environmental			
Operating Temperature	+ 32°F to 104° F / 0° C to 40° C	+ 32°F to 104° F / 0° C to 40° C	+ 32°F to 104° F / 0° C to 40° C
Operating Humidity	0% - 95% non-condensing	0% - 95% non-condensing	0% - 95% non-condensing
Operating Elevation	0-10000 feet (0-3000 meters)	0-10000 feet (0-3000 meters)	0-10000 feet (0-3000 meters)
Storage Temperature	5 °F to 113°F / -15°C to 45 °C	5 °F to 113°F / -15°C to 45 °C	5 °F to 113°F / -15°C to 45 °C
Storage Relative Humidity	0 - 95%	0 - 95%	0 - 95%
Online Thermal Dissipation	20 BTU/hr	24 BTU/hr	24 BTU/hr

#All specifications are subject to change without notice.
©2016 CyberPower Systems. All Trademarks are the property of their owners.



CyberPower®

UPS SYSTEMS | PDUs | SURGE PROTECTORS | POWER INVERTERS